

## Mounted Unit

## BEARING DIMENSIONS

Shaft Diameter	Complete* Component	Pedestal Housing	A**	B	C‡	D	E		F	H	Bolts	Weight lbs.
							Minimum	Maximum				
1 7/16 1 1/2 35 mm 40 mm	S1 BCH 107 S1 BCH 108 S1 BCH 35mm S1 BCH 40mm	PH 1	2 3/8	9	2 3/8	8-Jul	6 3/4	7 1/2	-	5 1/2	Two 1/2	11.05
1 11/16 1 3/4 1 15/16 2 45 mm 50 mm	S1 BCH 111 S1 BCH 112 S1 BCH 115 S1 BCH 200 S1 BCH 45mm S1 BCH 50mm	PH 2	2 3/4	10 5/8	2 3/8	1	8	8 7/8	-	6 1/4	Two 5/8	18.5
2 3/16 2 1/4 2 7/16 2 1/2 55 mm 60 mm 65 mm	S1 BCH 203 S1 BCH 204 S1 BCH 207 S1 BCH 208 S1 BCH 55mm S1 BCH 60mm S1 BCH 65mm	PH 3	3 5/32	11	2 3/4	1 1/4	8 7/8	9 1/2	-	7	Two 3/4	25.4
2 11/16 2 3/4 2 15/16 3 70 mm 75 mm	S1 BCH 211 S1 BCH 212 S1 BCH 215 S1 BCH 300 S1 BCH 70mm S1 BCH 75mm	PH 4	3 3/4	13	3	1 1/2	10 1/4	11	-	7 7/8	Two 3/4	33
3 3/16 3 1/4 3 7/16 3 1/2 80 mm 85 mm 90 mm	S1 BCH 303 S1 BCH 304 S1 BCH 307 S1 BCH 308 S1 BCH 80mm S1 BCH 85mm S1 BCH 90mm	PH 5 2B    PH 5 4B	4 13/32	15	3 1/2  5 1/2	1 3/4	12 3/16  12 3/8	13 3/16  13 3/8	-  3 1/2	10 1/16	Two 3/4  Four 3/4	58  64.3
3 11/16 3 3/4 3 15/16 4 100 mm 105 mm	S1 BCH 311 S1 BCH 312 S1 BCH 315 S1 BCH 400 S1 BCH 100mm S1 BCH 105mm	PH 6 2B   PH 6 4B	4 15/16	16 3/4	4 1/4  6	2	13 1/2  14	14 7/8  15	-  4	10 3/4	Two 3/4  Four 3/4	75.2  83.6
4 3/16 4 1/4 4 7/16 4 1/2 110 mm 115 mm	S1 BCH 403 S1 BCH 404 S1 BCH 407 S1 BCH 408 S1 BCH 110mm S1 BCH 115mm	PH 7	5 5/8	18 3/4	6 3/4	2 3/8	15 3/4	16 11/16	4 1/2	12 3/8	Four 3/4	110
4 11/16 4 3/4 4 15/16 5 120 mm 125 mm 130 mm	S1 BCH 411 S1 BCH 412 S1 BCH 415 S1 BCH 500 S1 BCH 120mm S1 BCH 125mm S1 BCH 130mm	PH 8	6 3/8	20	7	1 1/2	17 1/4	18 3/16	4 3/4	14	Four 7/8	175.9
5 3/16 5 1/4 5 7/16 5 1/2 135 mm 140 mm	S1 BCH 503 S1 BCH 504 S1 BCH 507 S1 BCH 508 S1 BCH 135mm S1 BCH 140mm	PH 9	7 1/8	22	7	1 9/16	18 1/2	19 1/2	4 3/4	15 1/2	Four 7/8	201.4
5 15/16 6 150 mm 155 mm 160 mm	S1 BCH 515 S1 BCH 600 S1 BCH 150mm S1 BCH 155mm S1 BCH 160mm	PH 10	7 1/8	22	7	1 5/8	18 1/2	20 1/2	4 3/4	15 3/4	Four 7/8	224.5

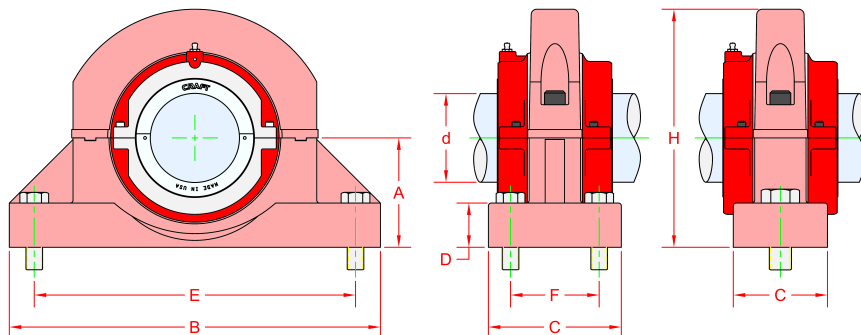
\* Specify Suffix – FL for float bearing,  
HD for held bearing

\*\* Base to center height can be altered upon request

Special application bearings are available upon request.

‡ Housing width only

Dimensions in inches  
Normal operating temperature for  
standard bearings is 32°F to 212°F



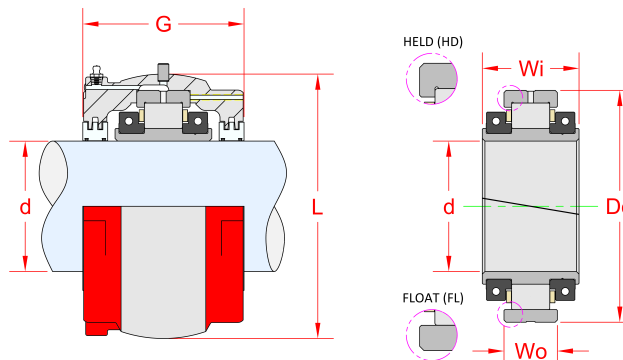
## Cartridge Assembly

Shaft Diameter	Cartridge* Assembly	Cartridge	L	G‡	Weight lbs.	Grease Capacity
1 7/16 1 1/2 35 mm 40 mm	S1 BC 107 S1 BC 108 S1 BC 35mm S1 BC 40mm	S1 C 108	3 15/16	3 5/16	6.9	2.0 oz
1 11/16 1 3/4 1 15/16 2 45 mm 50 mm	S1 BC 111 S1 BC 112 S1 BC 115 S1 BC 200 S1 BC 45mm S1 BC 50mm	S1 C 200	4 5/8	3 3/4	9.2	3.2 oz
2 3/16 2 1/4 2 7/16 2 1/2 55 mm 60 mm 65 mm	S1 BC 203 S1 BC 204 S1 BC 207 S1 BC 208 S1 BC 55mm S1 BC 60mm S1 BC 65mm	S1 C 208	5 5/16	4	11.6	5.2 oz
2 11/16 2 3/4 2 15/16 3 70 mm 75 mm	S1 BC 211 S1 BC 212 S1 BC 215 S1 BC 300 S1 BC 70mm S1 BC 75mm	S1 C 300	6 3/16	4 3/8	18.5	6.2 oz
3 3/16 3 1/4 3 7/16 3 1/2 80 mm 85 mm 90 mm	S1 BC 303 S1 BC 304 S1 BC 307 S1 BC 308 S1 BC 80mm S1 BC 85mm S1 BC 90mm	S1 C 308	7	5 3/16	25.5	10.5 oz
3 11/16 3 3/4 3 15/16 4 100 mm 105 mm	S1 BC 311 S1 BC 312 S1 BC 315 S1 BC 400 S1 BC 100mm S1 BC 105mm	S1 C 400	8	5 3/16	32.3	12.5 oz
4 3/16 4 1/4 4 7/16 4 1/2 110 mm 115 mm	S1 BC 403 S1 BC 404 S1 BC 407 S1 BC 408 S1 BC 110mm S1 BC 115mm	S1 C 408	9 1/8	5 9/16	48.6	1.2 lbs
4 11/16 4 3/4 4 15/16 5 120 mm 125 mm 130 mm	S1 BC 411 S1 BC 412 S1 BC 415 S1 BC 500 S1 BC 120mm S1 BC 125mm S1 BC 130mm	S1 C 500	10 1/2	6 1/16	71.7	1.4 lbs
5 3/16 5 1/4 5 7/16 5 1/2 135 mm 140 mm	S1 BC 503 S1 BC 504 S1 BC 507 S1 BC 508 S1 BC 135mm S1 BC 140mm	S1 C 508	11	6 9/16	81.1	1.8 lbs
5 15/16 6 150 mm 155 mm 160 mm	S1 BC 515 S1 BC 600 S1 BC 150mm S1 BC 155mm S1 BC 160mm	S1 C 600	11 5/8	6 3/4	97	2.0 lbs

\* Specify Suffix – FL for float bearing,  
HD for held bearing  
\*\* Based on Axial Capacity at 1000 RPM.

‡ Length through bore.

Dimensions in inches



## Roller Bearing

Bearing*	Bearing Rating lbs.			Max RPM	Do	Wi	Wo	Weight lbs.
	Dynamic Cr	Static Co	Axial Ca**					
S1 B 107 S1 B 108 S1 B 35mm S1 B 40mm	13870	15560	285	5420	3.313	1.972	0.938	2.3
S1 B 111 S1 B 112 S1 B 115 S1 B 200 S1 B 45mm S1 B 50mm	18291	22496	326	4456	3.875	2.192	1.000	3.5
S1 B 203 S1 B 204 S1 B 207 S1 B 208 S1 B 55mm S1 B 60mm S1 B 65mm	20255	24851	351	3750	4.5	2.192	1.063	3.5
S1 B 211 S1 B 212 S1 B 215 S1 B 300 S1 B 70mm S1 B 75mm	29843	40077	433	3190	5.25	2.41	1.25	6
S1 B 303 S1 B 304 S1 B 307 S1 B 308 S1 B 80mm S1 B 85mm S1 B 90mm	37552	52749	453	2740	6	2.781	1.531	9.2
S1 B 311 S1 B 312 S1 B 315 S1 B 400 S1 B 100mm S1 B 105mm	51215	73061	552	2400	6.875	3.188	1.781	13.9
S1 B 403 S1 B 404 S1 B 407 S1 B 408 S1 B 110mm S1 B 115mm	63207	94628	654	2140	8	3.342	1.844	20.8
S1 B 411 S1 B 412 S1 B 415 S1 B 500 S1 B 120mm S1 B 125mm S1 B 130mm	72821	111390	685	1940	8.75	3.531	2.125	25.5
S1 B 503 S1 B 504 S1 B 507 S1 B 508 S1 B 135mm S1 B 140mm	80703	124806	717	1780	9.5	3.875	2.188	32.4
S1 B 515 S1 B 600 S1 B 150mm S1 B 155mm S1 B 160mm	87598	141757	762	1670	10	3.875	2.188	37.1

## Mounted Unit

## BEARING DIMENSIONS

Shaft Diameter	Complete* Component	Pedestal Housing	A**	B	C‡	D	E		F	H	Bolts	Weight lbs.
							Minimum	Maximum				
6 7/16 6 1/2 160 mm 165 mm	S1 BCH 607 S1 BCH 608 S1 BCH 160mm S1 BCH 165mm	PH 11	8 3/8	20	7	1 1/4	14	15	4 1/2	17	Four 1	236
6 11/16 6 15/16 7 170 mm 180 mm	S1 BCH 611 S1 BCH 615 S1 BCH 700 S1 BCH 170mm S1 BCH 180mm	PH 12	9 1/4	21	7 1/2	1 3/8	14 3/8	15 3/4	5	18 1/2	Four 1	283
7 1/2 7 15/16 8 190 mm 200 mm	S1 BCH 708 S1 BCH 715 S1 BCH 800 S1 BCH 190mm S1 BCH 200mm	PH 13	9 3/4	22 1/2	8	1 1/2	16 1/8	17 1/8	5 1/2	19 1/2	Four 1	321
8 1/2 8 15/16 9 220 mm	S1 BCH 808 S1 BCH 815 S1 BCH 900 S1 BCH 220mm	PH 14	10 5/8	25	8 1/2	1 5/8	17 3/8	18 7/8	5 1/2	21 1/4	Four 1 1/4	372
9 1/2 9 15/16 10 240 mm 250 mm	S1 BCH 908 S1 BCH 915 S1 BCH 1000 S1 BCH 240mm S1 BCH 250mm	PH 15	11 1/2	27	9	1 3/4	19	20 1/2	5 1/2	23	Four 1 1/4	512
10 1/2 10 15/16 11 260 mm 280 mm	S1 BCH 1008 S1 BCH 1015 S1 BCH 1100 S1 BCH 260mm S1 BCH 280mm	PH 16	12 1/4	28 1/2	9	1 7/8	20 1/4	21 3/4	5 1/2	24 1/2	Four 1 1/4	605
11 1/2 11 15/16 12 300 mm	S1 BCH 1108 S1 BCH 1115 S1 BCH 1200 S1 BCH 300mm	PH 17	13 1/2	30	10	2	22 1/4	23 3/4	7	26 3/4	Four 1 1/4	742
12 1/2 13 320 mm	S1 BCH 1208 S1 BCH 1300 S1 BCH 320mm	PH 18	14 1/2	32	10	2 1/8	23 3/4	25 1/4	7	29	Four 1 1/2	920
14 340 mm	S1 BCH 1400 S1 BCH 340mm	PH 19	15 1/4	33 1/2	10	2 1/4	25	26 1/2	6 1/2	30 1/2	Four 1 1/2	1,100
15 360 mm 380 mm	S1 BCH 1500 S1 BCH 360mm S1 BCH 380mm	PH 20	15 5/8	35 1/2	10	2 3/8	25 7/8	27 3/8	6 1/2	30 1/4	Four 1 1/2	1,150
15 3/4 16 400 mm	S1 BCH 1512 S1 BCH 1600 S1 BCH 400mm	PH 116	17	37	10	2 5/8	27 11/16	29 5/16	6 9/16	34 1/16	Four 1 1/2	1,200

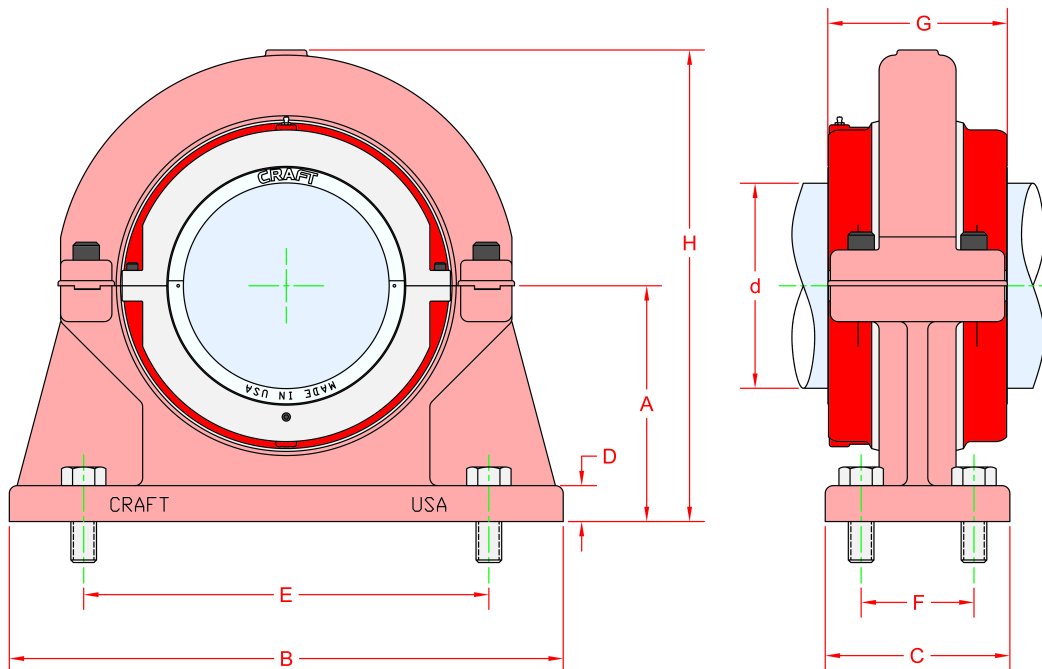
\* Specify Suffix – FL for float bearing,  
HD for held bearing

\*\* Base to center height can be altered upon request

Special application bearings are available upon request.

‡ Housing width only

Dimensions in inches  
Normal operating temperature for  
standard bearings is 32°F to 212°F



## Cartridge Assembly

Shaft Diameter	Cartridge* Assembly	Cartridge	L	G‡	Weight lbs.	Grease Capacity
6 7/16 6 1/2 160 mm 165 mm	S1 BC 607 S1 BC 608 S1 BC 160mm S1 BC 165mm	S1 C 608	12 1/4	7 9/16	110	2.1 lbs
6 11/16 6 15/16 7 170 mm 180 mm	S1 BC 611 S1 BC 615 S1 BC 700 S1 BC 170mm S1 BC 180mm	S1 C 700	12 3/4	7 7/8	137	2.4 lbs
7 1/2 7 15/16 8 190 mm 200 mm	S1 BC 708 S1 BC 715 S1 BC 800 S1 BC 190mm S1 BC 200mm	S1 C 800	14 1/8	7 7/8	151	3.2 lbs
8 1/2 8 15/16 9 220 mm	S1 BC 808 S1 BC 815 S1 BC 900 S1 BC 220mm	S1 C 900	15 1/4	8 1/2	174	3.3 lbs
9 1/2 9 15/16 10 240 mm 250 mm	S1 BC 908 S1 BC 915 S1 BC 1000 S1 BC 240mm S1 BC 250mm	S1 C 1000	16 1/2	8 3/4	227	4.2 lbs
10 1/2 10 15/16 11 260 mm 280 mm	S1 BC 1008 S1 BC 1015 S1 BC 1100 S1 BC 260mm S1 BC 280mm	S1 C 1100	17 7/8	9 1/8	279	4.2 lbs
11 1/2 11 15/16 12 300 mm	S1 BC 1108 S1 BC 1115 S1 BC 1200 S1 BC 300mm	S1 C 1200	19 1/4	9 3/4	378	4.4 lbs
12 1/2 13 320 mm	S1 BC 1208 S1 BC 1300 S1 BC 320mm	S1 C 1300	20 3/4	11 3/4	441	6.0 lbs
14 340 mm	S1 BC 1400 S1 BC 340mm	S1 C 1400	21 1/2	10 1/2	376	6.7 lbs
15 360 mm 380 mm	S1 BC 1500 S1 BC 360mm S1 BC 380mm	S1 C 1500	22 1/2	11	486	7 lbs
15 3/4 16 400 mm	S1 BC 1512 S1 BC 1600 S1 BC 400mm	S1 C 1600	23 3/4	11 1/8	578	8 lbs

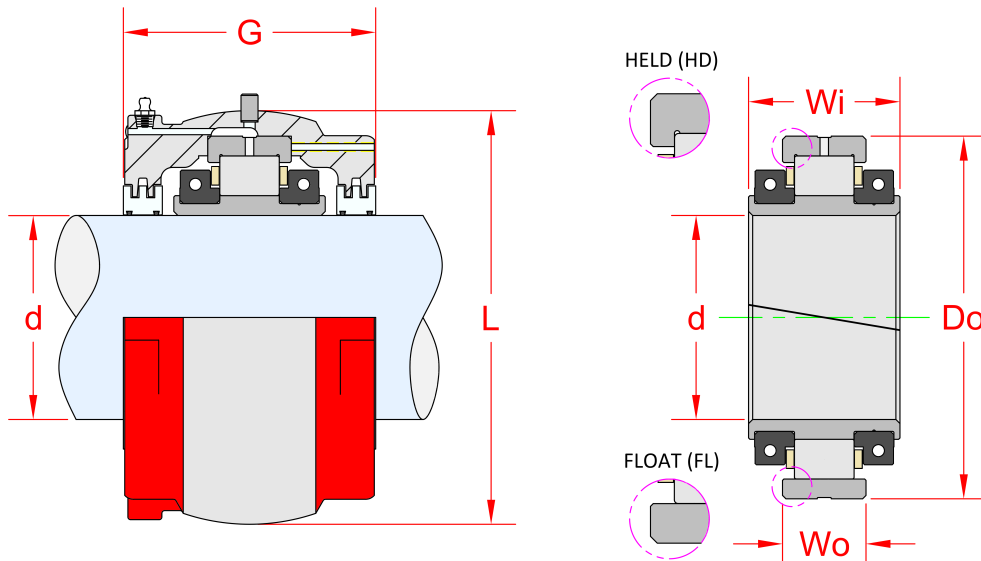
\* Specify Suffix – FL for float bearing,  
HD for held bearing  
\*\* Based on Axial Capacity at 100 RPM.

‡ Length through bore.

Dimensions in inches

## Roller Bearing

Bearing*	Bearing Rating lbs.			Max RPM	Do	Wi	Wo	Weight lbs.
	Dynamic Cr	Static Co	Axial Ca**					
S1 B 607 S1 B 608 S1 B 160mm S1 B 165mm	97258	159049	7993	1550	10.75	4.291	2.375	47
S1 B 611 S1 B 615 S1 B 700 S1 B 170mm S1 B 180mm	104510	178085	8445	1465	11.25	4.291	2.185	46
S1 B 708 S1 B 715 S1 B 800 S1 B 190mm S1 B 200mm	110607	198444	8459	1320	12.25	4.291	2.375	50
S1 B 808 S1 B 815 S1 B 900 S1 B 220mm	121869	223077	8566	1190	13.5	4.528	2.5	63
S1 B 908 S1 B 915 S1 B 1000 S1 B 240mm S1 B 250mm	136054	266300	9280	1080	14.75	4.803	2.625	82
S1 B 1008 S1 B 1015 S1 B 1100 S1 B 260mm S1 B 280mm	156486	303690	9679	990	16	5.039	2.719	100
S1 B 1108 S1 B 1115 S1 B 1200 S1 B 300mm	163906	331580	9743	915	17.25	5.625	2.938	123
S1 B 1208 S1 B 1300 S1 B 320mm	177820	363370	10072	856	18.26	5.352	2.937	126
S1 B 1400 S1 B 340mm	176733	367612	9510	805	19.25	5.352	2.937	139
S1 B 1500 S1 B 360mm S1 B 380mm	203501	436765	10540	753	20.5	5.509	3	151
S1 B 1512 S1 B 1600 S1 B 400mm	204980	449532	10733	713	21.5	5.509	3	160



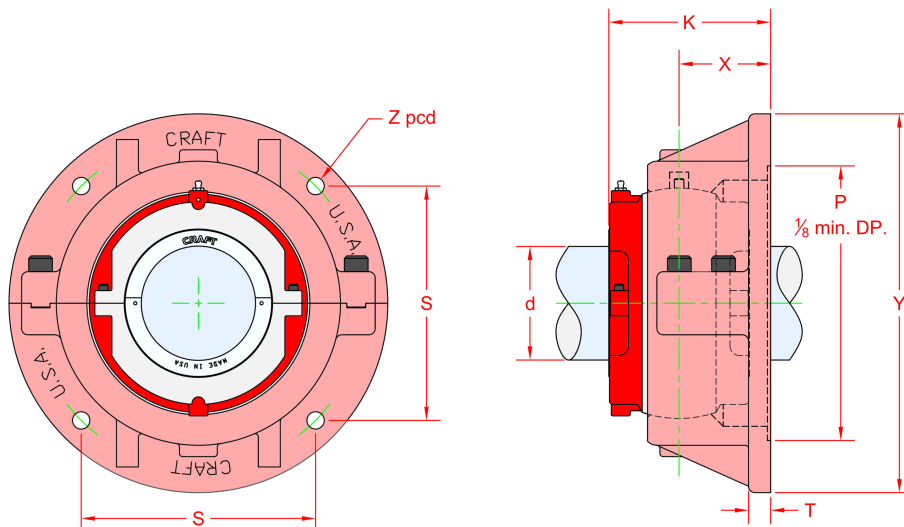
## Flange Unit

### BEARING DIMENSIONS

Shaft Diameter	Complete* Component	Flange Housing	Y	K	X	Z	S	T	P	Bolts	Weight lbs.
2 3/16 2 1/4 2 7/16 2 1/2 55 mm 60 mm 65 mm	S1 BCF 203 S1 BCF 204 S1 BCF 207 S1 BCF 208 S1 BCF 55mm S1 BCF 60mm S1 BCF 65mm	FH 3	10 1/4	4 11/16	2 5/8	8 9/16	6 1/16	5/8	6 9/16	Four 1/2	37
2 11/16 2 3/4 2 15/16 3 70 mm 75 mm	S1 BCF 211 S1 BCF 212 S1 BCF 215 S1 BCF 300 S1 BCF 70mm S1 BCF 75mm	FH 4	11 1/4	5 1/8	2 7/8	9 9/16	6 3/4	5/8	7 9/16	Four 1/2	53
3 3/16 3 1/4 3 7/16 3 1/2 80 mm 85 mm 90 mm	S1 BCF 303 S1 BCF 304 S1 BCF 307 S1 BCF 308 S1 BCF 80mm S1 BCF 85mm S1 BCF 90mm	FH 5	13	5 13/16	3 1/8	10 3/4	7 5/8	3/4	8 1/2	Four 1/2	80
3 11/16 3 3/4 3 15/16 4 100 mm 105 mm	S1 BCF 311 S1 BCF 312 S1 BCF 315 S1 BCF 400 S1 BCF 100mm S1 BCF 105 mm	FH 6	14	6	3 3/8	11 7/8	8 3/8	3/4	9 5/8	Four 5/8	94
4 3/16 4 1/4 4 7/16 4 1/2 110 mm 115 mm	S1 BCF 403 S1 BCF 404 S1 BCF 407 S1 BCF 408 S1 BCF 110mm S1 BCF 115mm	FH 7	15	6 7/16	3 5/8	13 1/8	9 1/4	7/8	10 7/8	Four 5/8	122
4 11/16 4 3/4 4 15/16 5 120 mm 125 mm 130 mm	S1 BCF 411 S1 BCF 412 S1 BCF 415 S1 BCF 500 S1 BCF 120mm S1 BCF 125mm S1 BCF 130mm	FH 8	17	6 15/16	3 7/8	15 1/8	10 11/16	1	12 1/2	Four 7/8	165
5 3/16 5 1/4 5 7/16 5 1/2 135 mm 140 mm	S1 BCF 503 S1 BCF 504 S1 BCF 507 S1 BCF 508 S1 BCF 135mm S1 BCF 140mm	FH 9	17 1/2	7 1/8	3 7/8	15 1/8	10 11/16	1	12 1/2	Four 7/8	181
5 15/16 6 150 mm 155 mm 160 mm	S1 BCF 515 S1 BCF 600 S1 BCF 150mm S1 BCF 155mm S1 BCF 160mm	FH 10	18 1/2	7 15/16	4 1/2	16 1/4	11 1/2	1	13 5/8	Four 1	215

\*Specify Suffix – FL for float bearing,  
HD for held bearing  
Special application bearings are available upon request.

Dimensions in inches  
Normal operating temperature for  
standard bearings is 32°F to 212°F



# S1 Series Large Bore Flange Block

## Flange Unit

## BEARING DIMENSIONS

Shaft Diameter	Complete* Component	Flange Housing	Y	K	X	Z	S	T	P	Bolts	Weight lbs.
6 7/16 6 1/2 160 mm 165 mm	S1 BCF 607 S1 BCF 608 S1 BCF 160mm S1 BCF165mm	FH 11	19 1/2	7 15/16	4 1/8	16 3/4	11 7/8	1	13 7/8	Four 1	242
6 15/16 7 170 mm 180 mm	S1 BCF 615 S1 BCF 700 S1 BCF 170mm S1 BCF 180mm	FH 12	20	8 3/16	4 1/4	17 1/4	12 3/16	1 1/8	14 3/8	Four 1	265
7 1/2 7 15/16 8 190 mm 200 mm	S1 BCF 708 S1 BCF 715 S1 BCF 800 S1 BCF 190mm S1 BCF 200mm	FH 13	21	8 3/16	4 1/4	18 5/8	13 3/16	1 1/4	15 3/4	Four 1	306
8 1/2 8 15/16 9 220 mm	S1 BCF 808 S1 BCF 815 S1 BCF 900 S1 BCF 220mm	FH 14	23	8 7/8	4 5/8	20 1/8	14 1/4	1 3/8	17	Four 1 1/4	365
9 1/2 9 15/16 10 240 mm 250 mm	S1 BCF 908 S1 BCF 915 S1 BCF 1000 S1 BCF 240mm S1 BCF 250mm	FH 15	24	9	4 5/8	21 3/8	15 1/16	1 3/8	18 1/4	Four 1 1/4	407
10 1/2 11 270 mm 280 mm	S1 BCF 1008 S1 BCF 1100 S1 BCF 270mm S1 BCF 280mm	FH 16	26	9 7/16	4 7/8	23	16 1/4	1 1/2	19 7/8	Four 1 1/4	521
11 1/2 12 290 mm 300 mm	S1 BCF 1108 S1 BCF 1200 S1 BCF 290mm S1 BCF 300mm	FH 17	28	10 1/8	5 1/4	24 5/8	17 7/16	1 1/2	21 1/4	Four 1 1/4	642
12 1/2 13 320 mm	S1 BCF 1208 S1 BCF 1300 S1 BCF 320mm	FH 18	32	11 3/8	6	27 1/2	19 7/16	1 1/2	23	Four 1 1/2	840
14 340 mm	S1 BCF 1400 S1 BCF 340mm	FH 19	33 1/2	10 7/8	5 1/2	29	20 1/2	1 5/8	24	Four 1 1/2	820
15 360 mm 380 mm	S1 BCF 1500 S1 BCF 360mm S1 BCF 380mm	FH 115	36	12	6 1/2	31 1/2	22 9/32	1 3/4	26 1/2	Eight 1 1/4	1090
16 400 mm	S1 BCF 1600 S1 BCF 400mm	FH 116	36	12 1/8	6 1/2	31 1/2	22 9/32	1 3/4	26 1/2	Eight 1 1/4	1110

\*Specify Suffix – FL for float bearing,  
HD for held bearing  
Special application bearings are available upon request.

Dimensions in inches  
Normal operating temperature for  
standard bearings is 32°F to 212°F

