

Mounted Unit

BEARING DIMENSIONS

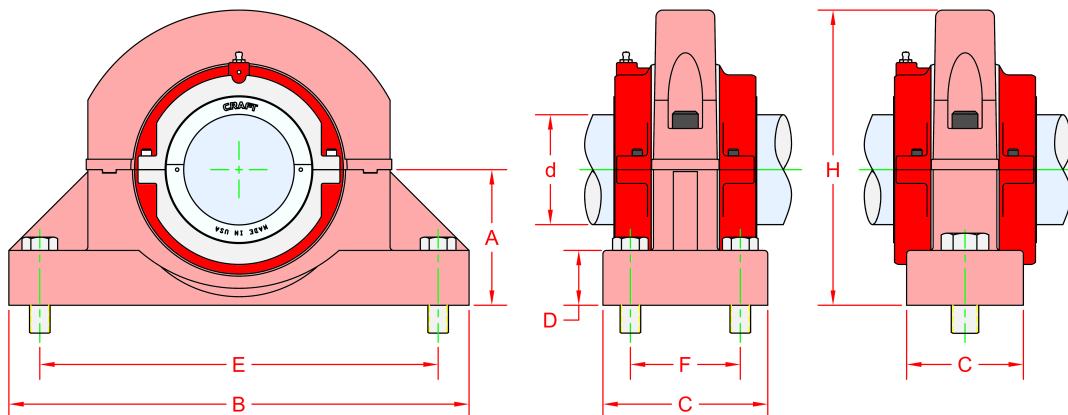
Shaft Diameter	Complete* Component	Pedestal Housing	A**	B	C‡	D	E		F	H	Bolts	Weight lbs.
							Minimum	Maximum				
2 3/16 2 1/4 2 7/16 2 1/2 55 mm 60 mm 65 mm	S2 BCH 203 S2 BCH 204 S2 BCH 207 S2 BCH 208 S2 BCH 55mm S2 BCH 60mm S2 BCH 65mm	PH 4	3 3/4	13	3	1 1/2	10 1/4	11	-	7 7/8	Two 3/4	39
2 11/16 2 3/4 2 15/16 3 70 mm 75 mm	S2 BCH 211 S2 BCH 212 S2 BCH 215 S2 BCH 300 S2 BCH 70mm S2 BCH 75mm	PH 5 (2B) PH 5 (4B)	4 13/32	15	3 1/2 5 1/2	1 3/4	12 3/16 12 3/8	13 3/16 13 3/8	- 3 1/2	10 1/16	Two 3/4 Four 3/4	66.6 74
3 3/16 3 1/4 3 7/16 3 1/2 80 mm 85 mm 90 mm	S2 BCH 303 S2 BCH 304 S2 BCH 307 S2 BCH 308 S2 BCH 80mm S2 BCH 85mm S2 BCH 90mm	PH 6 (2B) PH 6 (4B)	4 15/16	16 3/4	4 1/4 6	2	13 1/2 14	14 7/8 15	- 4	10 3/4	Two 3/4 Four 3/4	79.2 88
3 11/16 3 3/4 3 15/16 4 100 mm 105 mm	S2 BCH 311 S2 BCH 312 S2 BCH 315 S2 BCH 400 S2 BCH 100mm S2 BCH 105mm	PH 7	5 5/8	18 3/4	6 3/4	2 3/8	15 3/4	16 11/16	4 1/2	12 3/8	Four 3/4	118
4 3/16 4 1/4 4 7/16 4 1/2 110 mm 115 mm	S2 BCH 403 S2 BCH 404 S2 BCH 407 S2 BCH 408 S2 BCH 110mm S2 BCH 115mm	PH 8	6 3/8	20	7	1 1/2	7 1/4	18 3/16	4 3/4	14	Four 7/8	180
4 11/16 4 15/16 5 120 mm 125 mm 130 mm	S2 BCH 411 S2 BCH 415 S2 BCH 500 S2 BCH 120mm S2 BCH 125mm S2 BCH 130mm	PH 10	7 1/8	22	7	1 5/8	18 1/2	20 1/2	4 3/4	15 3/4	Four 7/8	234
5 3/16 5 7/16 5 1/2 140 mm	S2 BCH 503 S2 BCH 507 S2 BCH 508 S2 BCH 140mm	PH 20	8	24	7	2	21	22	4 3/4	18	Four 1	320
5 15/16 6 150 mm 155 mm	S2 BCH 515 S2 BCH 600 S2 BCH 150mm S2 BCH 155mm	PH 21	8 1/4	25	8	2	21 1/2	22 1/2	5	18	Four 1	374

* Specify Suffix – FL for float bearing,
HD for held bearing

Special application bearings are available upon request.
‡ Housing width only

Dimensions in inches
Normal operating temperature for
standard bearings is 32°F to 212°F

** Base to center height can be altered upon request



Cartridge Assembly

Shaft Diameter	Cartridge* Assembly	Cartridge	L	G‡	Weight lbs.	Grease Capacity
2 3/16 2 1/4 2 7/16 2 1/2 55 mm 60 mm 65 mm	S2 BC 203 S2 BC 204 S2 BC 207 S2 BC 208 S2 BC 55mm S2 BC 60mm S2 BC 65mm	S2 C 208	6 3/16	4 15/16	24.2	7.6 oz
2 11/16 2 3/4 2 15/16 3 70 mm 75 mm	S2 BC 211 S2 BC 212 S2 BC 215 S2 BC 300 S2 BC 70mm S2 BC 75mm	S2 C 300	7	5 1/2	34	10.5 oz
3 3/16 3 1/4 3 7/16 3 1/2 80 mm 85 mm 90 mm	S2 BC 303 S2 BC 304 S2 BC 307 S2 BC 308 S2 BC 80mm S2 BC 85mm S2 BC 90mm	S2 C 308	8	5 3/4	41.3	1.1 lbs
3 11/16 3 3/4 3 15/16 4 100 mm 105 mm	S2 BC 311 S2 BC 312 S2 BC 315 S2 BC 400 S2 BC 100mm S2 BC 105mm	S2 C 400	9 1/8	5 3/4	58	1.4 lbs
4 3/16 4 1/4 4 7/16 4 1/2 110 mm 115 mm	S2 BC 403 S2 BC 404 S2 BC 407 S2 BC 408 S2 BC 110mm S2 BC 115mm	S2 C 408	10 1/2	6 3/8	77.2	2.0 lbs
4 11/16 4 15/16 5 120 mm 125 mm 130 mm	S2 BC 411 S2 BC 415 S2 BC 500 S2 BC 120mm S2 BC 125mm S2 BC 130mm	S2 C 500	11 5/8	7 1/4	111.5	2.5 lbs
5 3/16 5 7/16 5 1/2 140 mm	S2 BC 503 S2 BC 507 S2 BC 508 S2 BC 140mm	S2 C 508	12 3/4	7 3/8	138.3	3.0 lbs
5 15/16 6 150 mm 155 mm	S2 BC 515 S2 BC 600 S2 BC 150mm S2 BC 155mm	S2 C 600	13 1/4	7 15/16	162	3.0 lbs

* Specify Suffix – FL for float bearing,
HD for held bearing

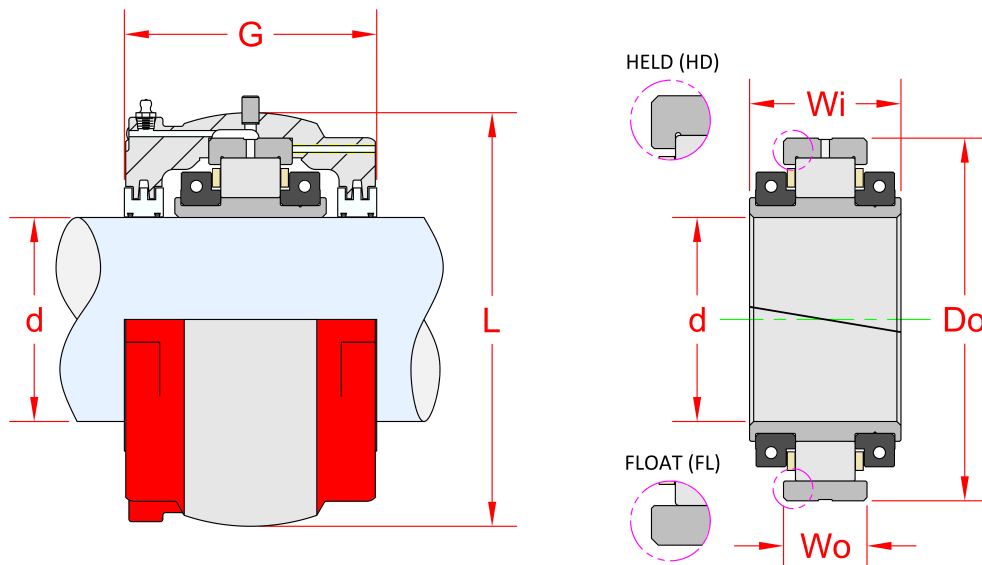
‡ Length through bore.

** Based on Axial Capacity at 1000 RPM.

Roller Bearing

Bearing*	Bearing Rating lbs.			Max RPM	Do	Wi	Wo	Weight lbs.
	Dynamic Cr	Static Co	Axial Ca**					
S2 B 203 S2 B 204 S2 B 207 S2 B 208 S2 B 55mm S2 B 60mm S2 B 65mm	33,580	42,860	473	3,450	5	2.844	1.531	7.7
S2 B 211 S2 B 212 S2 B 215 S2 B 300 S2 B 70mm S2 B 75mm	45,420	59,250	561	2,930	5.875	3.25	1.813	12.1
S2 B 303 S2 B 304 S2 B 307 S2 B 308 S2 B 80mm S2 B 85mm S2 B 90mm	57,430	79,580	666	2,550	6.688	3.528	1.906	17.6
S2 B 311 S2 B 312 S2 B 315 S2 B 400 S2B100mm S2B105mm	74,130	105,015	761	2,230	7.625	3.622	2.031	21.8
S2 B 403 S2 B 404 S2 B 407 S2 B 408 S2 B 110mm S2 B 115mm	91,410	131,140	857	1,980	9	3.938	2.25	38.9
S2 B 411 S2 B 415 S2 B 500 S2 B 120mm S2 B 125mm S2 B 130mm	111,320	162,690	951	1,780	10	4.5	2.5	55
S2 B 503 S2 B 507 S2 B 508 S2 B 140mm	133,640	197,690	1,060	1,630	10.75	4.625	2.625	58.3
S2 B 515 S2 B 600 S2 B 150mm S2 B 155mm	147,260	229,200	1,137	1,450	11.5	4.875	2.688	70.4

Dimensions in inches



Mounted Unit

BEARING DIMENSIONS

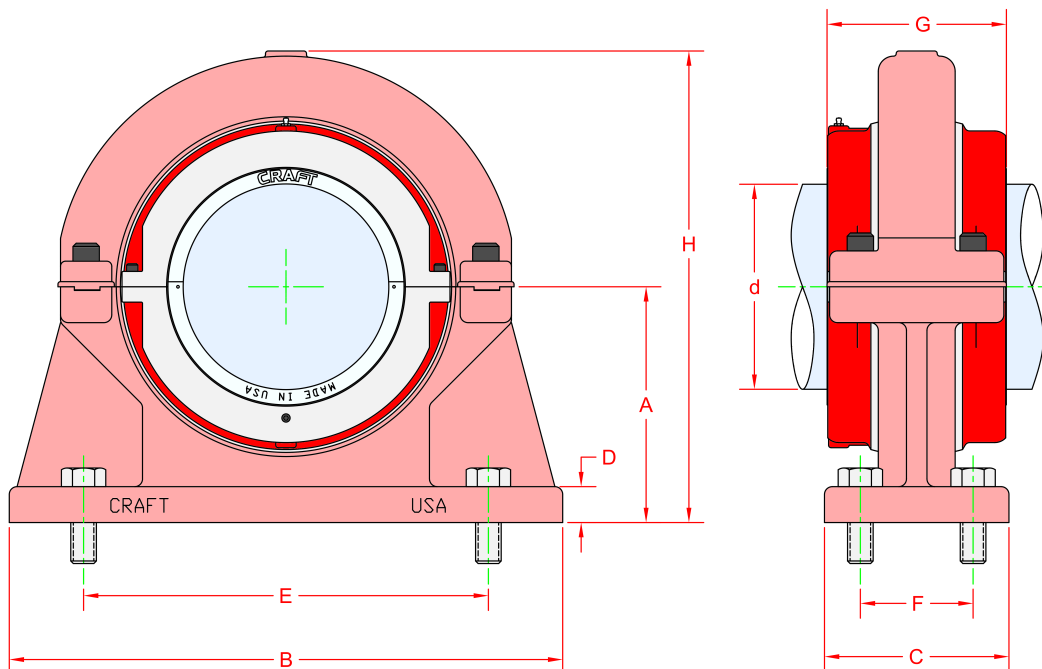
Shaft Diameter	Complete* Component	Pedestal Housing	A**	B	C‡	D	E		F	H	Bolts	Weight lbs.
							Minimum	Maximum				
6 7/16 6 1/2 160 mm 170 mm	S2 BCH 607 S2 BCH 608 S2 BCH 160mm S2 BCH 170mm	PH 22	10 1/2	23 1/2	9 1/2	1 3/4	16 7/8	18 3/8	6 3/4	21	Four 1 1/4	407
6 15/16 7 180 mm	S2 BCH 615 S2 BCH 700 S2 BCH 180mm	PH 23	10 3/4	25	9 1/2	1 3/4	17 1/4	18 3/4	6 1/2	21 1/2	Four 1 1/4	478
7 1/2 7 15/16 8 190 mm 200 mm	S2 BCH 708 S2 BCH 715 S2 BCH 800 S2 BCH 190mm S2 BCH 200mm	PH 24	12	27	10 1/2	2	19 1/4	20 3/4	7 1/2	23 7/8	Four 1 1/4	646
8 1/2 9 220 mm 230 mm	S2 BCH 808 S2 BCH 900 S2 BCH 220mm S2 BCH 230mm	PH 25	12 3/4	29 1/2	11	2	20 7/8	22 3/8	7 1/2	25 1/4	Four 1 1/2	807
9 1/2 10 240 mm 260 mm	S2 BCH 908 S2 BCH 1000 S2 BCH 240mm S2 BCH 260mm	PH 26	14	32	11 1/2	2 1/8	22 3/4	24 1/4	8	28	Four 1 1/4	938
10 1/2 11 280 mm	S2 BCH 1008 S2 BCH 1100 S2 BCH 280mm	PH 27	14 7/8	36	13	2 3/8	20 1/4 28 1/4	21 3/4 29 3/4	10	30	Eight 1 1/4	1126
11 1/2 12 300 mm	S2 BCH 1108 S2 BCH 1200 S2 BCH 300mm	PH 28	15 1/2	37 3/4	13	2 3/8	21 1/2 29 1/2	23 31	10	31	Eight 1 1/4	1295
12 1/2 13 320 mm	S2 BCH 1208 S2 BCH 1300 S2 BCH 320mm	PH 29	16 1/2	40	11 1/2	2 1/2	23 1/4 31 1/4	24 13/16 32 13/16	8 1/4	33	Eight 1 1/4	1560
14 340 mm 360 mm	S2 BCH 1400 S2 BCH 340mm S2 BCH 360mm	PH 30	17 3/4	43	14 1/2	2 1/2	25 3/16 33 3/16	26 3/4 34 3/4	11	35 1/2	Eight 1 1/4	1742
15 380 mm	S2 BCH 1500 S2 BCH 380mm	PH 31	18 1/4	43	14 1/2	2 5/8	26 1/16 34 1/16	27 5/8 35 5/8	11	36 1/2	Eight 1 1/4	1853
15 1/2 16 400 mm	S2 BCH 1508 S2 BCH 1600 S2 BCH 400mm	PH 32	19 1/2	46	14 1/2	2 3/4	27 15/16 35 15/16	29 1/2 37 1/2	11	39	Eight 1 1/4	2200

* Specify Suffix – FL for float bearing,
HD for held bearing

Special application bearings are available upon request.
‡ Housing width only

Dimensions in inches
Normal operating temperature for
standard bearings is 32°F to 212°F

** Base to center height can be altered upon request



Cartridge Assembly

Shaft Diameter	Cartridge* Assembly	Cartridge	L	G‡	Weight lbs.	Grease Capacity
6 7/16 6 1/2 160 mm 170 mm	S2 BC 607 S2 BC 608 S2 BC 160mm S2 BC 170mm	S2 C 608	14 1/2	9 1/8	231	3.2 lbs
6 15/16 7 180 mm	S2 BC 615 S2 BC 700 S2 BC 180mm	S2 C 700	15	9 1/2	268	4.3 lbs
7 1/2 7 15/16 8 190 mm 200 mm	S2 BC 708 S2 BC 715 S2 BC 800 S2 BC 190mm S2 BC 200mm	S2 C 800	16 3/4	10 1/16	345	5.9 lbs
8 1/2 9 220 mm 230 mm	S2 BC 808 S2 BC 900 S2 BC 220mm S2 BC 230mm	S2 C 900	18	10 13/16	364	8.0 lbs
9 1/2 10 240 mm 260 mm	S2 BC 908 S2 BC 1000 S2 BC 240mm S2 BC 260mm	S2 C 1000	19 1/2	11 1/16	440	8.9 lbs
10 1/2 11 280 mm	S2 BC 1008 S2 BC 1100 S2 BC 280mm	S2 C 1100	20 3/4	11 13/16	525	10.4 lbs
11 1/2 12 300 mm	S2 BC 1108 S2 BC 1200 S2 BC 300mm	S2 C 1200	21 3/4	12 1/16	600	11.8 lbs
12 1/2 13 320 mm	S2 BC 1208 S2 BC 1300 S2 BC 320mm	S2 C 1300	23 1/8	13	690	16.0 lbs
14 340 mm 360 mm	S2 BC 1400 S2 BC 340mm S2 BC 360mm	S2 C 1400	24 3/4	13 1/2	800	15.9 lbs
15 380 mm	S2 BC 1500 S2 BC 380mm	S2 C 1500	25 1/2	13 1/2	882	17.0 lbs
15 1/2 16 400 mm	S2 BC 1508 S2 BC 1600 S2 BC 400mm	S2 C 1600	27	13 1/4	1105	20.0 lbs

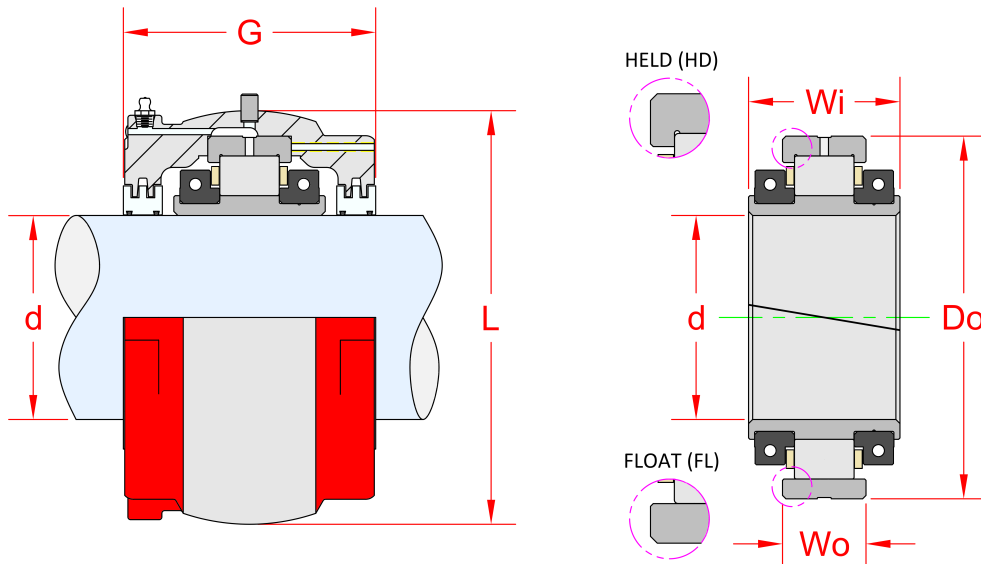
* Specify Suffix – FL for float bearing,
HD for held bearing
** Based on Axial Capacity at 100 RPM.

‡ Length through bore.

Dimensions in inches

Roller Bearing

Bearing*	Bearing Rating lbs.			Max RPM	Do	Wi	Wo	Weight lbs.
	Dynamic Cr	Static Co	Axial Ca**					
S2 B 607 S2 B 608 S2 B 160mm S2 B 170mm	156,150	237,651	10,902	1,407	12.5	5.5	3.281	93.5
S2 B 615 S2 B 700 S2 B 180mm	165,055	259,722	11,920	1,336	13	5.5	3.281	110
S2 B 708 S2 B 715 S2 B 800 S2 B 190mm S2 B 200mm	199,920	325,750	12,495	1,188	14.5	6.141	3.563	134
S2 B 808 S2 B 900 S2 B 220mm S2 B 230mm	216,740	371,520	13,045	1,091	15.5	6.402	3.563	148
S2 B 908 S2 B 1000 S2 B 240mm S2 B 260mm	245,900	427,520	13,757	990	17	6.668	3.813	187
S2 B 1008 S2 B 1100 S2 B 280mm	279,502	492,460	14,600	914	18.25	7.323	4	209
S2 B 1108 S2 B 1200 S2 B 300mm	300,990	555,066	15,185	850	19.5	7.594	4.063	297
S2 B 1208 S2 B 1300 S2 B 320mm	309,510	589,610	14,170	785	20.75	7.559	4.189	325
S2 B 1400 S2 B 340mm S2 B 360mm	359,685	682,815	16,050	737	22.25	7.784	4.563	405
S2 B 1500 S2 B 380mm	385,784	760,770	16,915	703	23	7.874	4.374	410
S2 B 1508 S2 B 1600 S2 B 400mm	428,110	849,650	17,990	665	24.25	7.874	4.563	463



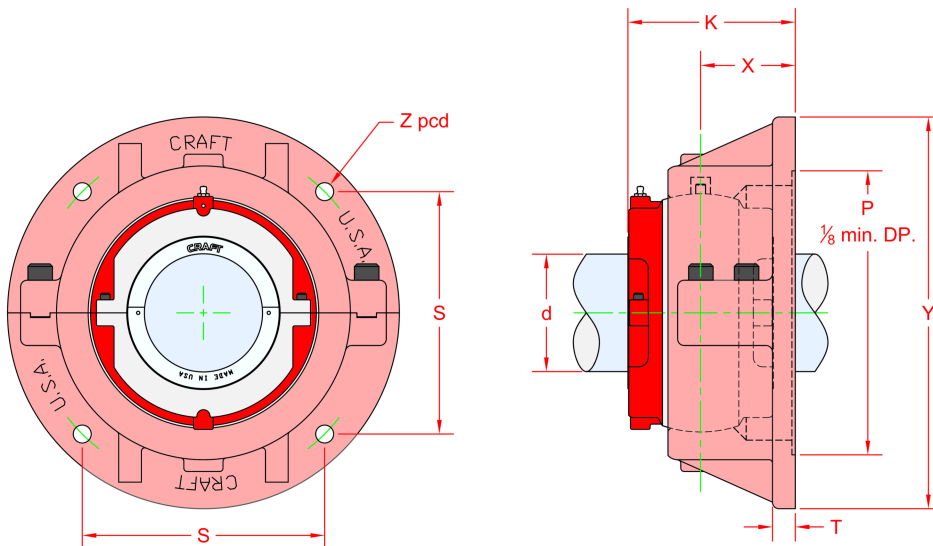
Mounted Unit

BEARING DIMENSIONS

Shaft Diameter	Complete* Component	Flange Housing	Y	K	X	Z	S	T	P	Bolts	Weight lbs.
2 3/16 2 1/4 2 7/16 2 1/2 55 mm 60 mm 65 mm	S2 BCF 203 S2 BCF 204 S2 BCF 207 S2 BCF 208 S2 BCF 55mm S2 BCF 60mm S2 BCF 65mm	FH 4	11 1/4	5 3/8	2 7/8	9 9/16	6 3/4	5/8	7 9/16	Four 1/2	49
2 11/16 2 3/4 2 15/16 3 70 mm 75 mm	S2 BCF 211 S2 BCF 212 S2 BCF 215 S2 BCF 300 S2 BCF 70mm S2 BCF 75mm	FH 5	13	5 7/8	3 1/8	10 3/4	7 5/8	3/4	8 1/2	Four 5/8	69
3 3/16 3 1/4 3 7/16 3 1/2 80 mm 85 mm 90 mm	S2 BCF 303 S2 BCF 304 S2 BCF 307 S2 BCF 308 S2 BCF 80mm S2 BCF 85mm S2 BCF 90mm	FH 6	14	6 1/4	3 3/8	11 7/8	8 3/8	3/4	9 5/8	Four 5/8	96
3 11/16 3 3/4 3 15/16 4 100 mm 105 mm	S2 BCF 311 S2 BCF 312 S2 BCF 315 S2 BCF 400 S2 BCF 100mm S2 BCF 105mm	FH 7	15	6 1/2	3 5/8	13 1/8	9 1/4	7/8	10 7/8	Four 5/8	119
4 3/16 4 1/4 4 7/16 4 1/2 110 mm 115 mm	S2 BCF 403 S2 BCF 404 S2 BCF 407 S2 BCF 408 S2 BCF 110mm S2 BCF 115mm	FH 8	17	7 1/16	3 7/8	14 3/4	10 7/16	7/8	12 3/8	Four 7/8	191
4 11/16 4 15/16 5 120 mm 125 mm 130 mm	S2 BCF 411 S2 BCF 415 S2 BCF 500 S2 BCF 120mm S2 BCF 125mm S2 BCF 130mm	FH 10	18 1/2	8 1/8	4 1/2	16 1/4	11 1/2	1	13 5/8	Four 1	242
5 3/16 5 7/16 5 1/2 140 mm	S2 BCF 503 S2 BCF 507 S2 BCF 508 S2 BCF 140mm	FH 20	20	8 3/16	4 3/8	17 1/2	12 3/8	1	14 7/8	Four 1	290
5 15/16 6 150 mm 155 mm	S2 BCF 515 S2 BCF 600 S2 BCF 150mm S2 BCF 155mm	FH 21	21	8 7/8	4 7/8	18 3/8	13	1	15 1/2	Four 1	340

*Specify Suffix – FL for float bearing,
HD for held bearing
Special application bearings are available upon request.

Dimensions in inches
Normal operating temperature for
standard bearings is 32°F to 212°F



Mounted Unit

BEARING DIMENSIONS

Shaft Diameter	Complete* Component	Flange Housing	Y	K	X	Z	S	T	P	Bolts	Weight lbs.
6 7/16 6 1/2 160 mm 170 mm	S2 BCF 607 S2 BCF 608 S2 BCF 160mm S2 BCF 170mm	FH 22	23	9 7/16	4 7/8	20	14 1/8	1 1/8	16 7/8	Four 1 1/4	412
6 15/16 7 180 mm	S2 BCF 615 S2 BCF 700 S2 BCF 180mm	FH 23	23 1/2	9 7/8	5 1/8	20 5/8	14 9/16	1 1/4	17 1/2	Four 1 1/4	509
7 1/2 7 15/16 8 190 mm 200 mm	S2 BCF 708 S2 BCF 715 S2 BCF 800 S2 BCF 190mm S2 BCF 200mm	FH 24	25 1/2	10 3/8	5 3/8	22 1/2	15 13/16	1 1/4	19 3/8	Four 1 1/4	704
8 1/2 9 220 mm 230 mm	S2 BCF 808 S2 BCF 900 S2 BCF 220mm S2 BCF 230mm	FH 25	28	11 1/8	5 3/4	24 3/8	17 1/4	1 3/8	20 3/4	Four 1 1/2	771
9 1/2 10 240 mm 260 mm	S2 BCF 908 S2 BCF 1000 S2 BCF 240mm S2 BCF 250mm	FH 26	29	11 3/8	5 7/8	26	18 3/8	1 1/2	22 3/8	Four 1 1/2	825
10 1/2 11 280 mm	S2 BCF 1008 S2 BCF 1100 S2 BCF 280mm	FH 27	30	12 1/8	6 1/4	26 7/8	19	1 1/2	23 3/4	Eight 1 1/4	957
11 1/2 12 300 mm	S2 BCF 1108 S2 BCF 1200 S2 BCF 300mm	FH 28	31	12 3/8	6 3/8	27 7/8	19 11/16	1 5/8	24 3/4	Eight 1 1/4	1082
12 1/2 13 320 mm	S2 BCF 1208 S2 BCF 1300 S2 BCF 320mm	FH 29	36	14	7 1/2	31 1/2	22 1/4	1 3/4	26 3/4	Eight 1 1/4	1400

*Specify Suffix – FL for float bearing,
HD for held bearing
Special application bearings are available upon request.

Dimensions in inches
Normal operating temperature for
standard bearings is 32°F to 212°F

